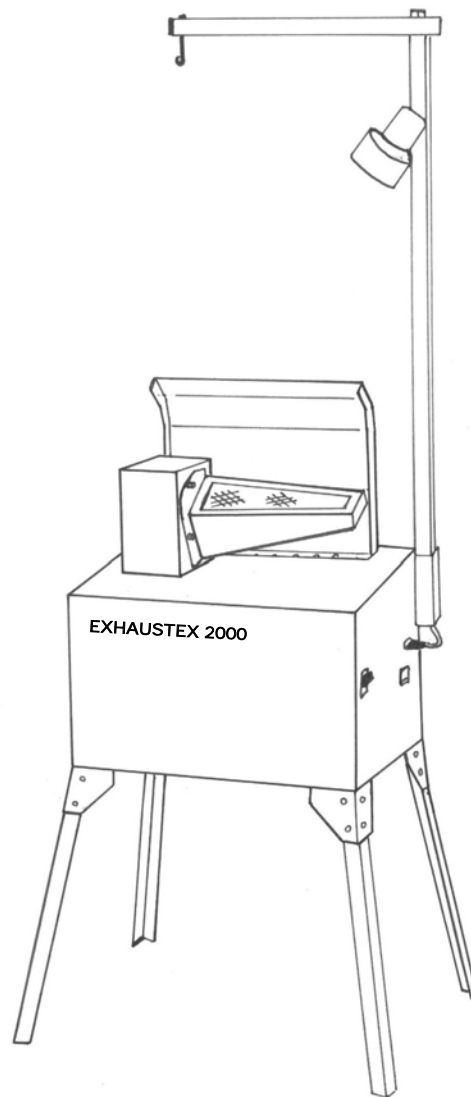




# EXHAUSTEX 2000

WITH INTEGRATED CHARCOAL FILTER



OPERATING AND SAFE USE  
INSTRUCTIONS

# EXHAUSTEX 2000

Congratulations, you have just purchased one of the finest spot cleaning stations available today. It is manufactured in the USA using only the highest quality components, to TEKMAR's high quality standards. When used as directed it will should provide years of trouble free service.

## PARTS LIST

1	EXHAUSTEX 2000	Hardware Kit: 16	1/4-20 x 3/8" screws
1	Stainless Steel Over-Spray Shield	1	# 8 Screw
4	Legs	1	# 6 Screw
1	Gun Stand (Upright w/Light & Short Arm)		
1	8 ft Exhaust Hose & Clamp		
1	Power Lead		
1	Spray Gun Adapter Lead - US Models Only		
1	Spray Gun Adapter Plug - non US Models Only		

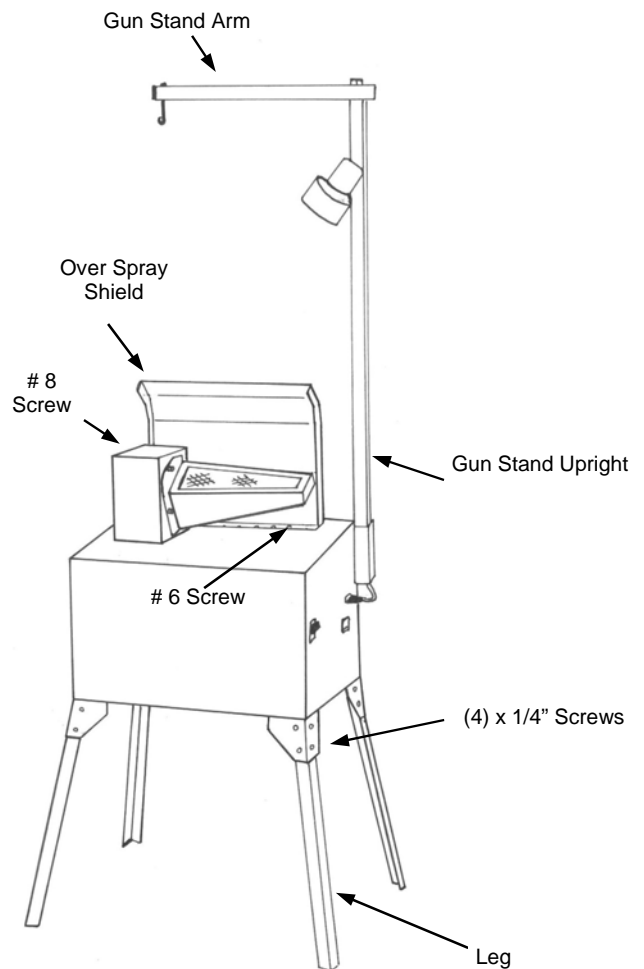
## SET UP

The EXHAUSTEX 2000 is shipped fully assembled except for the Legs, Over Spray Shield and Gun stand

**LEGS:** Position each leg on the inside of the mounting bracket underneath the Exhaustex and attach using (4) each of the 1/4-20 screws. If any screws will not go in, loosen the other screws and then try threading in screw again

**OVER SPRAY SHIELD:** Carefully insert Shield into the vacuum trough on the top of the Exhaustex. **DO NOT FORCE IT AS IT CAN EASILY BE DAMAGED.** Once in place, attach using the # 8 screw through the mounting tab on the Vacuum Tower. Insert the # 6 screw through the hole on the R/H side of the shield in the Vacuum trough.

**GUN STAND:** With the Upright turned so that the light is facing you and pointing to the left, insert the bottom into the square socket on the side of the Exhaustex. Take care to feed the air hose through the socket. The Short Arm is attached by inserting the pin into the socket on the top of the Upright.



## INSTALLATION

Attach the exhaust hose to the exhaust duct under the unit using the supplied hose clamp. The unit should be located in a convenient place in your shop. For optimal safety, it is recommended that where possible the unit be exhausted to the outdoors. This can be accomplished by the use of a laundry type dryer vent. ***Do not exhaust the unit into the vent pipe of a conveyer or other type of dryer, as this can allow dangerous fumes to flow back through the Exhauster.***

## ELECTRICAL

Plug the light into the two pin socket labeled "Light Only" on the side of the unit. The cleaning gun can be plugged into the convenience outlet on the side of the unit. For U.S. models use the supplied Spray Gun Adapter Lead. On non US models the gun will need to be fitted with the supplied Adapter Plug.

Plug the supplied Power cord into the back of the Exhaustex and then plug it into a correctly rated electrical receptacle. The EXHAUSTEX 2000 cleaning station is now ready for use.

The Electrical system is protected by a fuse. The fuse is inside the removable tray at the bottom of the power inlet. To change, remove the power lead and slide out the fuse tray. A spare fuse is housed in the tray. The correct fuse rating is - European type 5 x 20 mm 6 amp slow blow. ***ONLY USE THE CORRECTLY RATED FUSE OR DAMAGE AND/OR ELECTRIC SHOCK CAN OCCUR.***

## AIR HOOK UP

The gun stand is pre plumbed for air. It is supplied with 1/4" male NPT pipe thread fittings at both ends . If your spot cleaning gun is equipped with an air dryer, it can be conveniently connected to the top end of the air hose, while the lower connection can be made to your compressor or shop air supply.

## CHARCOAL FILTER

The Exhaustex 2000 is supplied with a fully charge charcoal filter unit. From time to time the Charcoal will need to be replaced. This is normally after approximately 10-15 gal (37-57 liters) or when a strong chemical odor can be smelt coming from the exhaust hose.

To change the charcoal, simply remove the (4) filter panel cover screws. Slide out the charcoal filter unit. Remove the (4) screws that hold the filter door on, and carefully pour out the charcoal into a suitable container. Refill with new charcoal pellets (available from Tekmar or an Authorized distributor) and reassemble filter. Slide back into unit and secure panel cover. Dispose of the spent charcoal in accordance with local and federal guidelines.

## SAFE OPERATING INSTRUCTIONS

This unit is an industrially classed piece of equipment, not intended for domestic or household use. It's design incorporates a high power blower unit, that could cause injury if modified or mis-used.

***Never spray flammable solutions through the unit.***

***Only operate the unit with the exhaust hose attached.***

***Always check the electrical cords for damage prior to use.***

***Disconnect power before servicing unit.***

***Use only authorized replacement parts. Do not effect temporary repairs.***

## OPERATING

The EXHAUSTEX 2000 should be switched on using the 2 way power switch. In the up position the unit is in "High Speed" mode, the center is "off" and the lower position is "Low Speed".

Use the high speed setting for general cleaning and the low speed for the cleaning of delicate fabrics, such as silks and Satins. The unit should be left running during the cleaning process, to ensure that all the chemical is evaporated. It is safe to leave the unit running for extended periods of time, as the motor has a built in cooling fan.

With the motor running, place the item being cleaned over the cleaning arm. Direct a jet of spot cleaning solvent through the stain until flushed away

Leave the Exhaustex running for a few minutes after you have finished the cleaning process. This is to allow any liquid that has enter the system, to be fully evaporated.

For more information please contact

CUSTOMER LINE (800) 564 1096

The logo for TEKMAR, featuring the word "TEKMAR" in a bold, italicized, sans-serif font. The letters are black with a white outline, and the "E" and "A" have a stylized, elongated shape. The logo is set against a white background with a black border.

TECHNICAL MARKETING LTD.  
P.O. BOX 4700  
SANTA BARBARA, CA. 93140 USA  
TEL(805) 965 0704 FAX(805) 963 7794