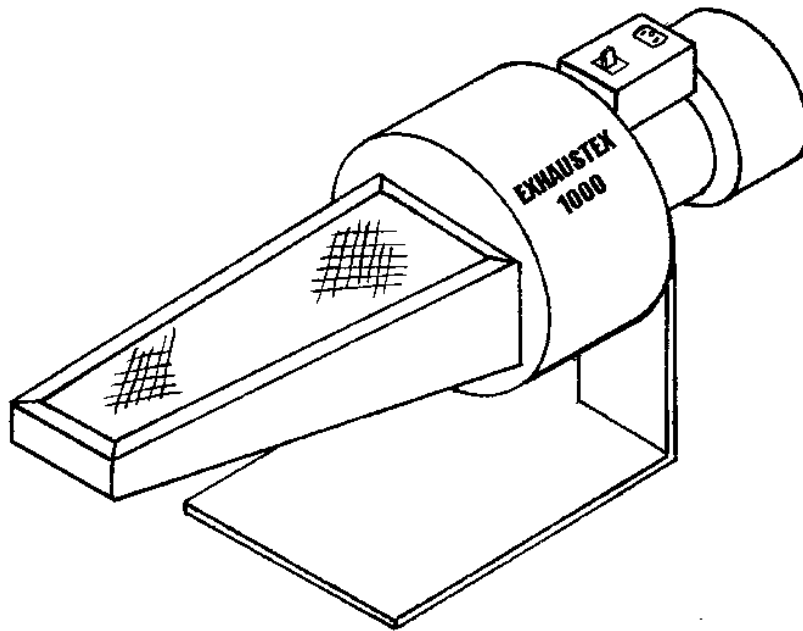


T A R G E T™

EXHAUSTEX 1000



OPERATING AND SAFE USE
INSTRUCTIONS

EXHAUSTEX 1000

Congratulations , you have just purchased one of the finest spot cleaning exhaust stations available today. It is manufactured in the USA using the best available materials and parts, to TEKMAR's high quality Standards. When used as directed it should provide years of trouble free service.

SAFE OPERATING INSTRUCTIONS

This unit is an industrial piece of equipment not intended for domestic use. It's design incorporates a high power blower unit that could cause injury if modified or mis-used.

Never spray flammable solutions through unit.

Only operate the unit with exhaust hose attached.

Always check electric cord for damage prior to use.

Disconnect power before servicing unit.

Use only authorized replacement parts, do not attempt temporary repairs.

INSTALLATION AND SET UP

The EXHAUSTEX 1000 comes fully assembled. Remove the unit from the box and place on work surface. Keep the packaging in case the unit ever needs to be returned for service. Attach the supplied hose to the rear round exhaust duct using the hose clamp provided.

The unit should be located in a convenient place in your shop. It is desirable to exhaust the unit to the outdoors using a laundry dryer type vent. If this is not possible then direct the hose onto the floor away from the operator and other persons. ***Do not exhaust the unit into the vent pipe of a dryer or other similar piece of equipment. This can cause dangerous fumes to flow back through the unit.***

The EXHAUSTEX 1000 can be plugged into any standard 110v receptacle. The convenience outlet provide on the unit is for a cleaning gun or inspection light only.

INSTRUCTIONS FOR USE

The EXHAUSTEX 1000 should be switched on using the master switch located on top of the unit. Place the item to be cleaned on the cleaning screen and conduct the cleaning operation. The unit should be left running during and after the cleaning process, to ensure that all the chemical is evaporated. It is safe to leave the unit running for extended periods of time, as the motor has a built in cooling fan.

Never use this unit for any other purpose other than that of an exhaust station for spot cleaning. It is not an air cleaner and does not provide a source of clean air.

CARE AND MAINTENANCE

There is no regular or routine maintenance required for the EXHAUSTEX 1000. Should the unit at any time lose power check that the exhaust hose is free from obstructions and is not crushed or damaged.

After an extended period of use (normally 6 months to a year) It may be necessary to “de-lint” the blower unit. This is a very simple operation that takes about 5 minutes.

1. Disconnect unit from power.
2. Remove the exhaust hose from the unit.
3. Look in the exhaust duct, up at the “squirrel cage” blower unit.
4. Using a long screw driver scrape the lint build up off each blade of the blower.
5. Place a trash bag over the exhaust duct and hold it on with your hand.
6. Temporarily plug the unit back in and switch on until all of the lint has been blown out of the unit.
7. Disconnect the unit from the power and reattach the hose.

Never place anything in the exhaust duct while the unit is running

REPLACEMENT PARTS

Replacement parts are available directly from Tekmar or through your local distributor.

Screen replacement is very simple.

Remove the 11 screen clamp screws from the exhauster arm.

Remove the 2 arm attachments screws from either side of the arm and then the 2 screws under the arm. *Do not remove the single upper arm mounting screw, This keeps the screen clamp bracket in place.*

Slide the arm off the screen clamp bracket

Remove the damaged screen from the arm and replace it with the new part.

Replace the screws in the reverse order of above

For more information please contact

CUSTOMER LINE (800) 564 1096

TEKMAR™

TECHNICAL MARKETING LTD.

P.O. BOX 4700

SANTA BARBARA, CA. 93140

TEL (805) 965 0704 FAX (805) 963 7794